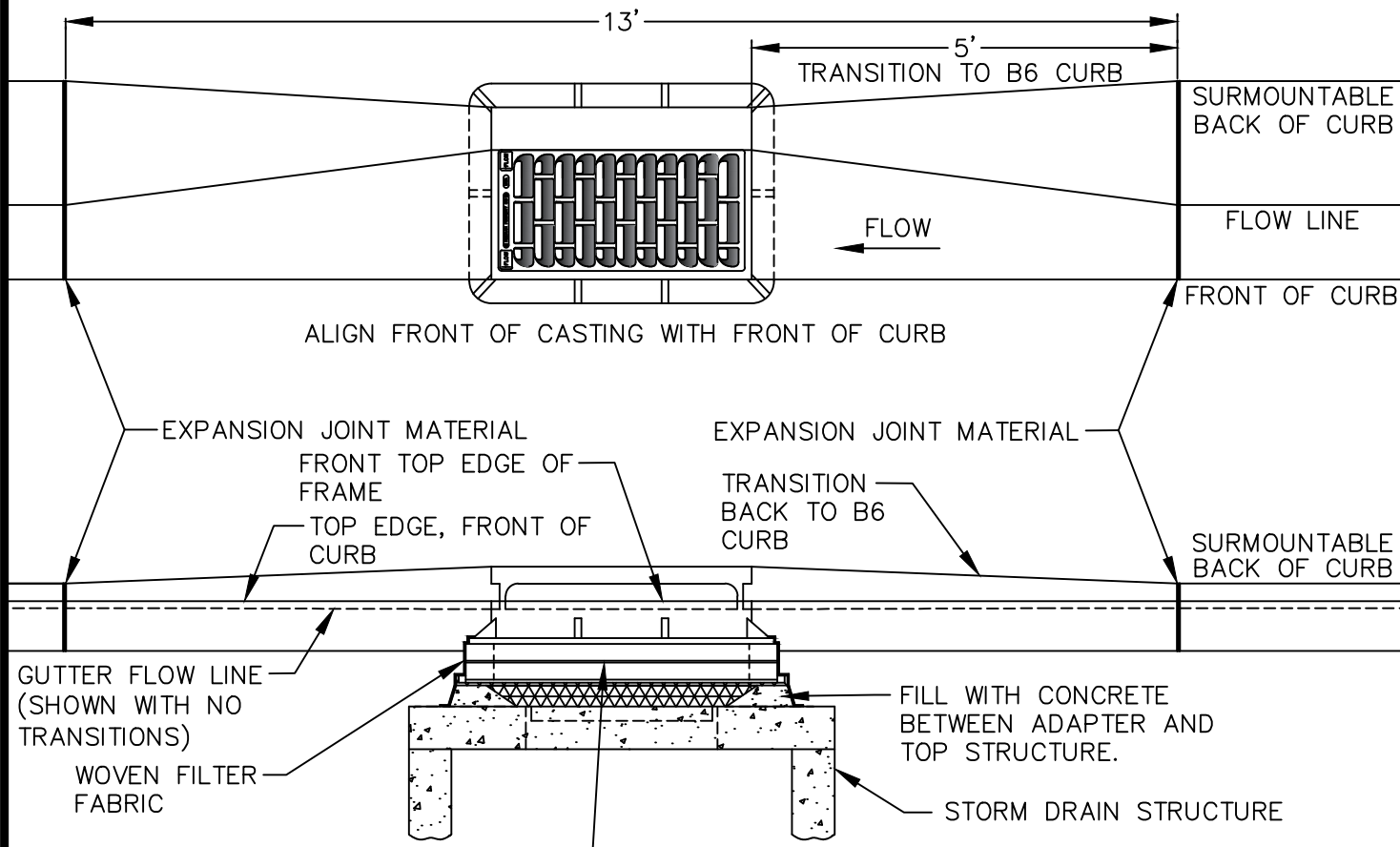


R-3067-L CASTING
WITH CURB BOX



CONCRETE 2' X 3' ADJUSTMENT RINGS. MIN. OF 2, MAX. OF 5, WITH A MIN. 1/4" MORTAR BETWEEN TOP SLAB AND FIRST RING AND 1/4" MINIMUM BETWEEN ALL RINGS. SEE SPECIFICATIONS FOR MORTAR TO USE. WOVEN FILTER FABRIC SHALL BE WRAPPED AROUND RINGS AND CASTING AND ADAPTER PLATE IF USED.