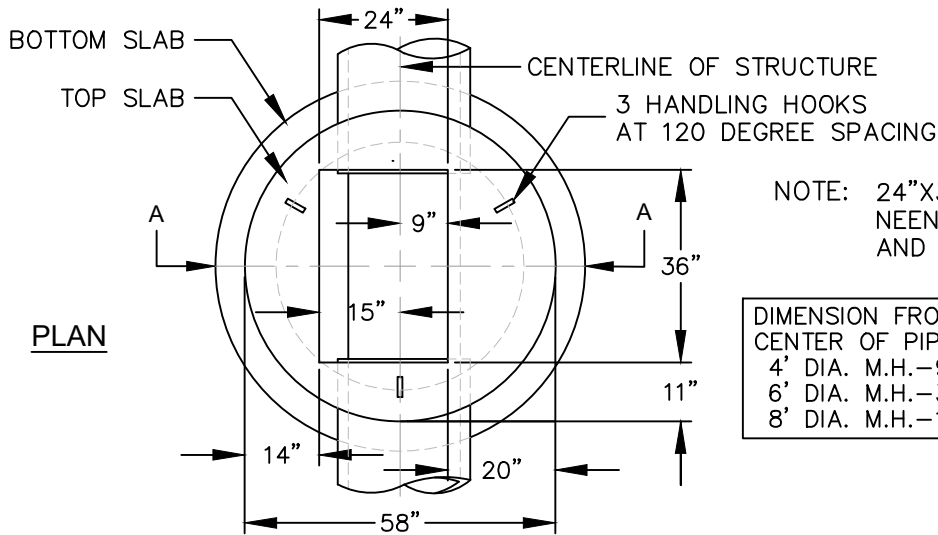
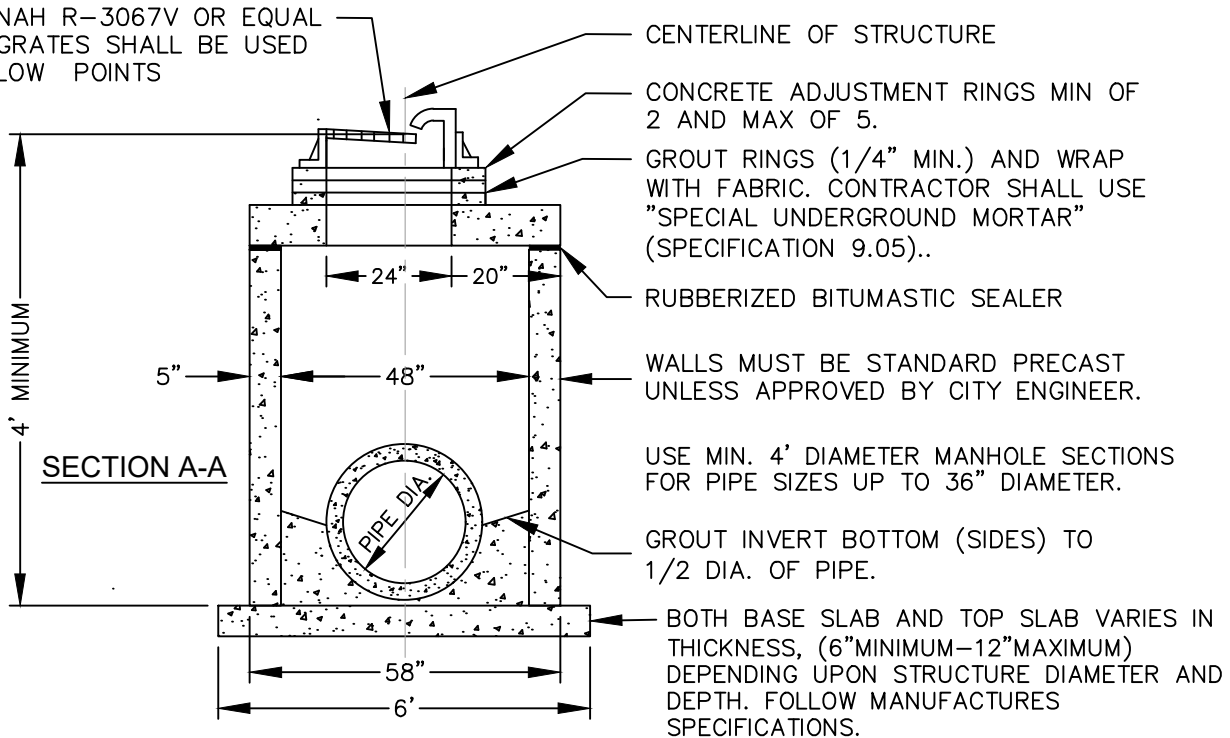


NEENAH R-3067V OR EQUAL
VB GRATES SHALL BE USED
AT LOW POINTS



NOTE: 24"X36" SLAB OPENING FOR
NEENAH R-3067-V CASTING
AND TYPE GRATE.

<p>DIMENSION FROM BACK OF CURB TO CENTER OF PIPE. 4' DIA. M.H.-9" IN FROM BACK OF CURB 6' DIA. M.H.-3" BEHIND BACK OF CURB 8' DIA. M.H.-15" BEHIND BACK OF CURB</p>

- NOTES:
1. ALL CATCH BASIN/MANHOLES MUST BE A MINIMUM OF 4' IN DEPTH.
 2. PROVIDE POURED CONCRETE INVERTS AND DOGHOUSES.
 3. GROUT ALL DOGHOUSES AND LIFT HOLES TO INSPECTORS APPROVAL.
 4. DOGHOUSE OPENING SHALL NOT BE MORE THAN 4" LARGER THAN PIPE.
 5. 2", 4" OR 6" ADJUSTING RINGS ARE ACCEPTABLE.
 6. CATCH BASIN/MANHOLES WITH FLAT TOP SLABS SHALL HAVE TERMINATING MANHOLE SECTIONS.
 7. SPECIFICATIONS FOR CATCH BASIN, MANHOLE SECTIONS, COVER AND SLABS SHALL CONFORM TO MANHOLE DETAIL.
 8. BLOCK MANHOLES SHALL NOT BE ALLOWED WITHOUT PRIOR APPROVAL FROM CITY ENGINEER.

MANHOLE SLAB TOP 2 X 3 OPENING