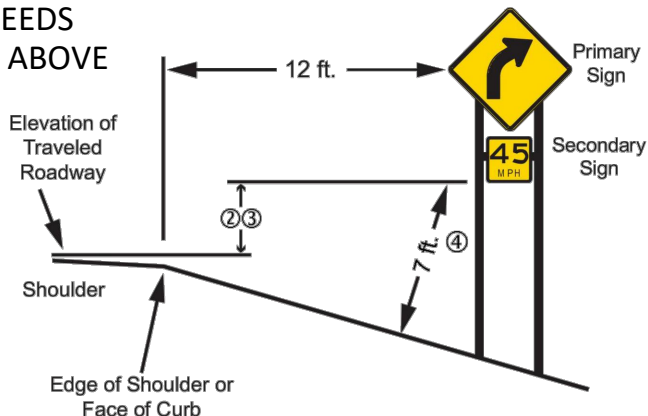
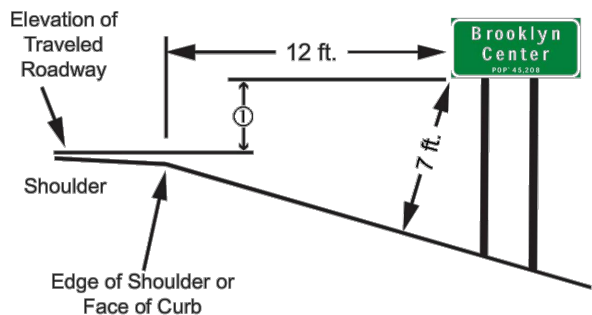
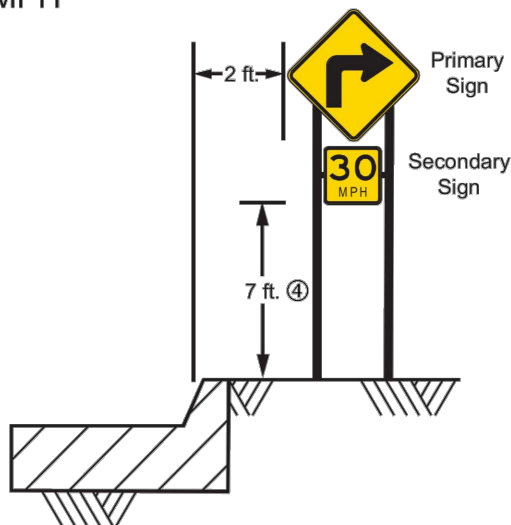
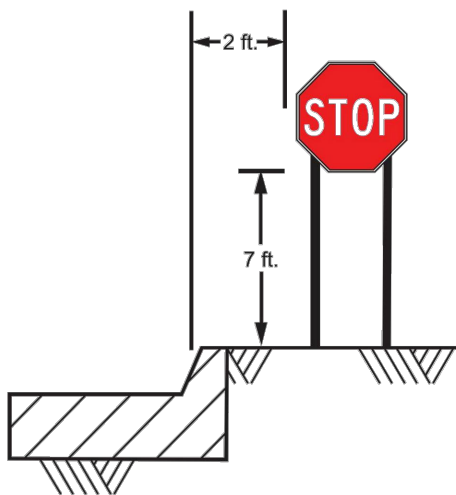


TYPICAL SPEEDS 45 MPH AND ABOVE



URBAN TYPICAL SPEEDS BELOW 45 MPH



NOTES:

- ① 5 ft. on conventional roads; 7 ft. on expressways and freeways.
- ② When a secondary sign is mounted to more than one riser post, the mounting height from the elevation of the roadway to the bottom of the secondary sign shall be 5 ft. on conventional roads and 7 ft. on expressways and freeways.
- ③ When a secondary sign is mounted on a single riser post, the mounting height from the elevation of roadway to the bottom of the secondary sign may be 1 ft. less than the height specified in note 2.
- ④ When a secondary sign is mounted on a single riser post the mounting height of the secondary sign may be mounted 5 ft. above the ground.
- 5. All dimensions are minimums.
- 6. Permanent signs shall be placed such that obstacles do not block them from being viewed by approaching road users, obstacles may include, but not limited to, light poles, trees, signs, and buildings.



COON RAPIDS
Minnesota

City of Coon Rapids
11155 Robinson Drive
Coon Rapids, MN 55433-3761
Tel: 763-755-2880
Fax: 763-767-6491
www.coonrapidsmn.gov

SIGN PLACEMENT

DRAWN: R.L.S.

DATE: 1/24/2020

SCALE: NONE

PLATE NO.
STR-26